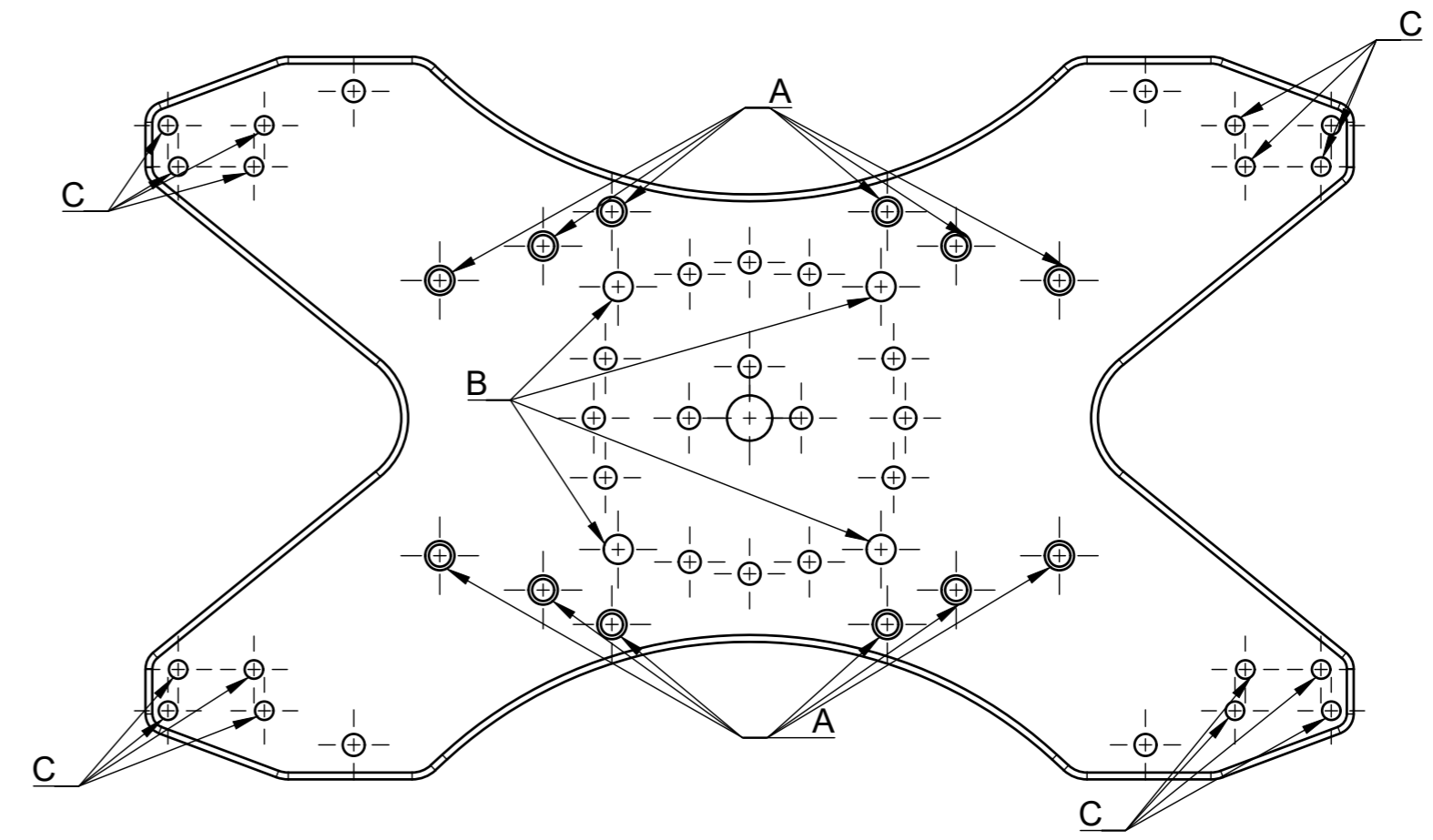
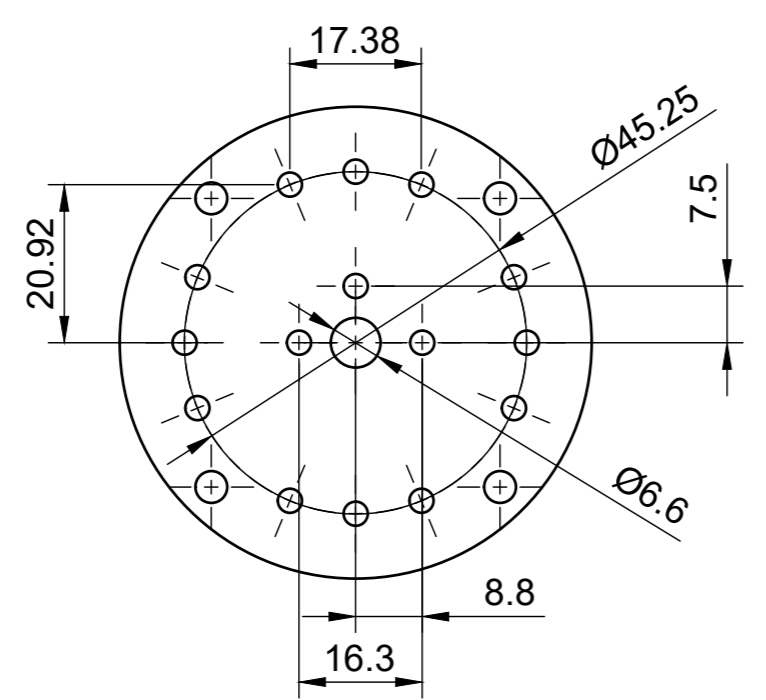


A (1:1)



Diameter table	
A	M3X0,5 ∇3
B	4,2
C	2,7

NOTE:
Unspecified holes are Ø3,2 mm

